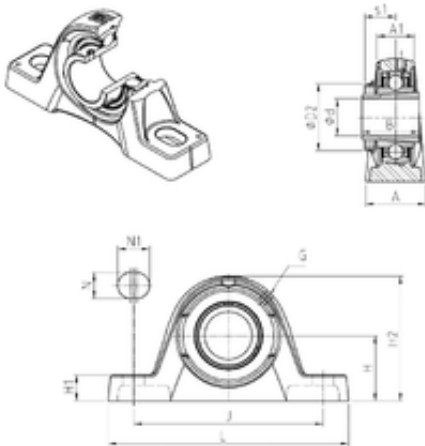




**SNR UKPLE212H Unidad De Rodamiento**

Bearing No. UKPLE212H



UKPLE212H Bearing 2D drawings and 3D CAD models

Bore Diameter	55 mm
d	55 mm
s1	31 mm
A	79,4 mm
A1	50,8 mm
B	62 mm
D2	80 mm
H	68,3 mm
H1	28,6 mm
H2	138,1 mm
J	193,7 mm
L	245 mm
N	18 mm
N1	29,1 mm
Thread (G)	M6x1
Weight	4,8 Kg
Basic dynamic load rating (C)	52,5 kN