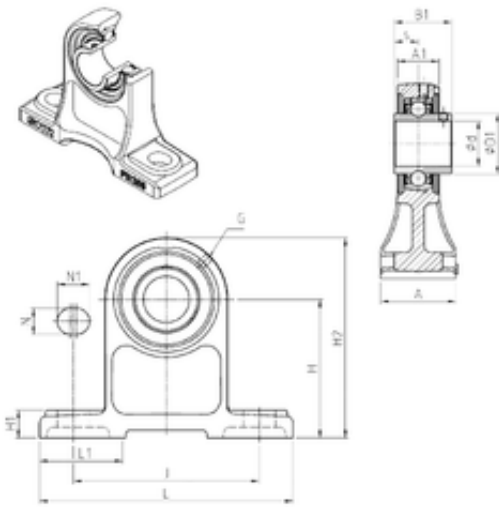




SNR UCPH207 Unidad De Rodamiento

Bearing No. UCPH207



UCPH207 Bearing 2D drawings and 3D CAD models

Bore Diameter	35 mm
d	35 mm
s	17,5 mm
A	60 mm
A1	30 mm
B1	42,9 mm
D1	48 mm
H	95 mm
H1	19 mm
H2	140 mm
J	127 mm
L	167 mm
L1	56 mm
N	17 mm
N1	21 mm
Thread (G)	M6x1
Weight	2,2 Kg
Basic dynamic load rating (C)	25,7 kN