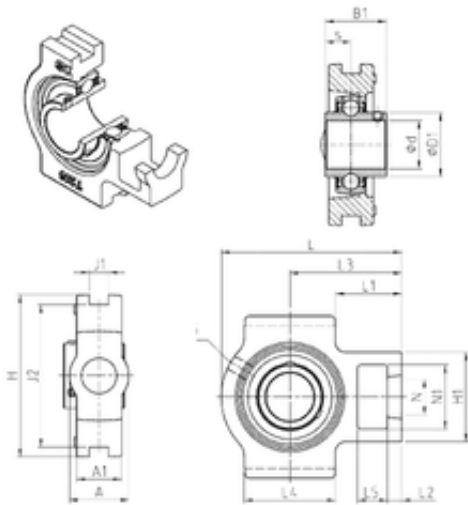




SNR UCT202 Unidad De Rodamiento

Bearing No. UCT202



UCT202 Bearing 2D drawings and 3D CAD models

Bore Diameter	15 mm
d	15 mm
L4	51 mm
L5	16 mm
L2	10 mm
L3	61 mm
s	12,7 mm
A	32 mm
A1	21 mm
B1	31 mm
D1	29 mm
H	89 mm
H1	51 mm
L	94 mm
L1	35,5 mm
N	19 mm
N1	32 mm
Thread (G)	M6x1
J1	12 mm
J2	76 mm
Weight	0,8 Kg
Basic dynamic load rating (C)	12,8 kN
A2	21 mm
B	31 mm
A5	18.3 mm
G	M6x1



CBI Rules and components Equipment Co...

H2	51 mm
N2	32 mm
s1	15.5 mm
S	12.7 mm
SW	3 mm
C	12.8 kN
C0	6.65 kN
T min.	-20 ° C
T max.	100 ° C
Recommended tightening torque for set screw	5.5 Nm
Designation of housing	T204-
Designation of bearing	UC202G2