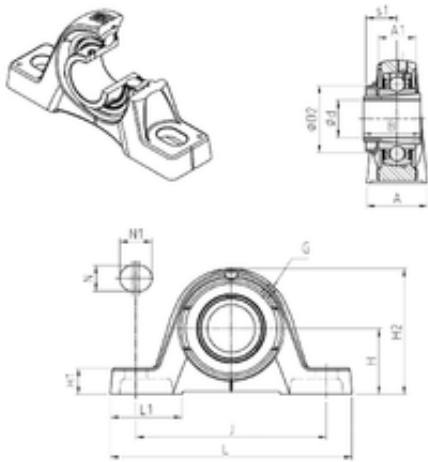




SNR UKPE211H Unidad De Rodamiento

Bearing No. UKPE211H



UKPE211H Bearing 2D drawings and 3D CAD models

Bore Diameter	50 mm
d	50 mm
s1	29 mm
A	60 mm
A1	35 mm
B	59 mm
D2	75 mm
H	63,5 mm
H1	22,5 mm
H2	124,5 mm
J	176 mm
L	222 mm
L1	68 mm
N	18 mm
N1	30 mm
Thread (G)	R1/8"
Weight	3,5 Kg
Basic dynamic load rating (C)	43,55 kN