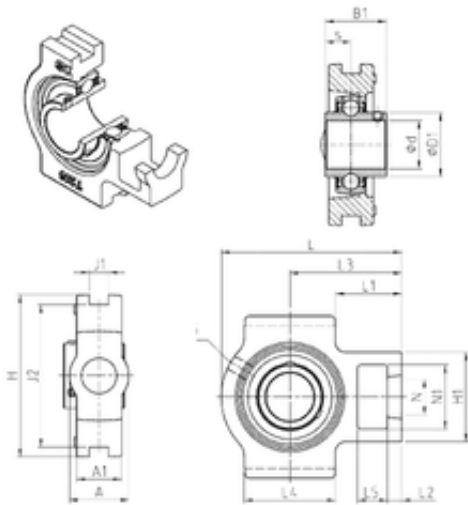




SNR UCT321 Unidad De Rodamiento

Bearing No. UCT321



UCT321 Bearing 2D drawings and 3D CAD models

Bore Diameter	105 mm
d	105 mm
L4	200 mm
L5	48 mm
L2	34 mm
L3	212 mm
s	44 mm
A	120 mm
A1	75 mm
B1	112 mm
D1	140,5 mm
H	290 mm
H1	175 mm
L	347 mm
L1	112 mm
N	59 mm
N1	115 mm
Thread (G)	M10x1
J1	35 mm
J2	260 mm
Weight	31,6 Kg
Basic dynamic load rating (C)	182 kN
A2	75 mm
B	112 mm
A5	68 mm
G	M10x1



CBI Rules and components Equipment Co...

H2	175 mm
N2	115 mm
s1	56 mm
S	44 mm
SW	9 mm
C	182 kN
C0	155 kN
T min.	-20 ° C
T max.	100 ° C
Recommended tightening torque for set screw	75 Nm
Designation of housing	T321-
Designation of bearing	UC321G2