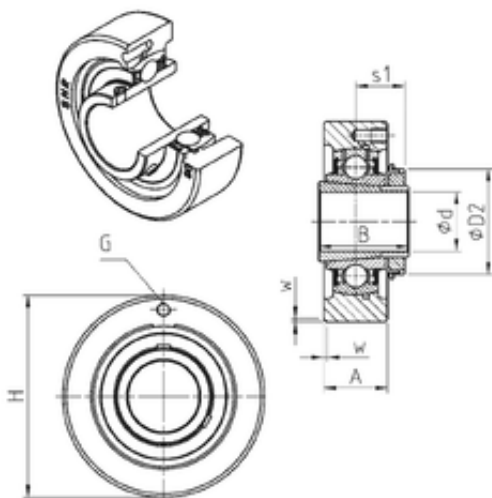




SNR UKC315H Unidad De Rodamiento

Bearing No. UKC315H



UKC315H Bearing 2D drawings and 3D CAD models

Bore Diameter	65 mm
Width	73 mm
d	65 mm
s1	42,5 mm
A	55 mm
B	73 mm
D2	98 mm
H	190 mm
W	4 mm
Thread (G)	M10x1
Weight	9 Kg
Basic dynamic load rating (C)	113,36 kN
A3	4 mm
A5	42.5 mm
B1	73 mm
d1	98 mm
G	M10x1
C	113.36 kN
C0	76.8 kN
T min.	-20 ° C
T max.	100 ° C
Adapter sleeve reference	H2315
Designation of housing	C315-
Designation of bearing	UK315G2H